

# Oceanus ROV System – Accessories

## Misc. ROV Attachments – Pro ROV Thruster Guard

Designed,  
engineered &  
manufactured  
on-site. | MN

A00159 Oceanus ROV System Accessory -Misc.- Thruster Guard-December 2022-PR10

Constructed of marine-grade materials, the thruster guard is designed to fit over the front, rear and vertical ROV thruster housings, and is locked in place by four threaded bolts and fasteners. Installation of thruster guards minimizes potential damage as the guards shield the thrusters from large pieces of debris being drawn in to the rotating blades as the ROV is in motion.



### Key Features

Designed, engineered and manufactured on-site, MarineNav ROV accessories are hand-assembled to exacting standards.

- Manufactured from marine-grade materials with all necessary fasteners
- Integrated design provides quick and easy installation requiring a minimum of tools
- Sold as individual units, or in full sets

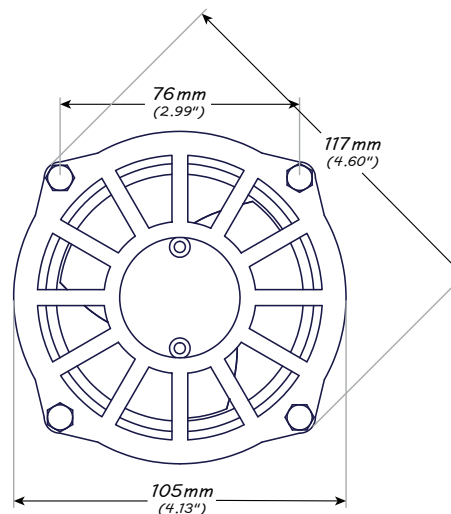
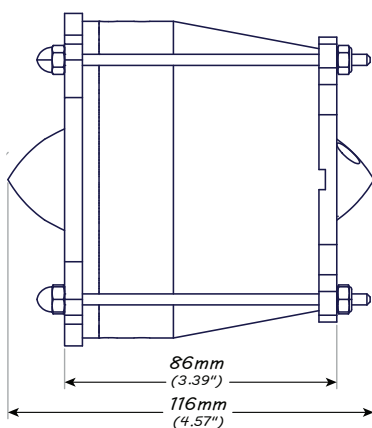
**The Thruster Guard ROV attachment is available for the Oceanus Mini and Ultimate ROV systems. Contact MarineNav for full product specifications.**

\* Thruster Guards are sold as a ROV thruster accessory. ROV thruster assembly, thruster fairing, or thruster cowling parts not included.

Specifications, options, and availability subject to change with out notice. Errors and omissions excepted.

We reserve the right to limit quantities. Rev August 2022.

### Measurements (Pro Thruster Guard)



**MARINE NAV**  
BUILT NORTH ATLANTIC TOUGH.  
TRUSTED EVERYWHERE.



© 2023 MarineNav Ltd.

1466 Panmure Island Rd – Rte 347  
Panmure Island PE COA 1R0  
902 838-7011  
www.marinenav.ca